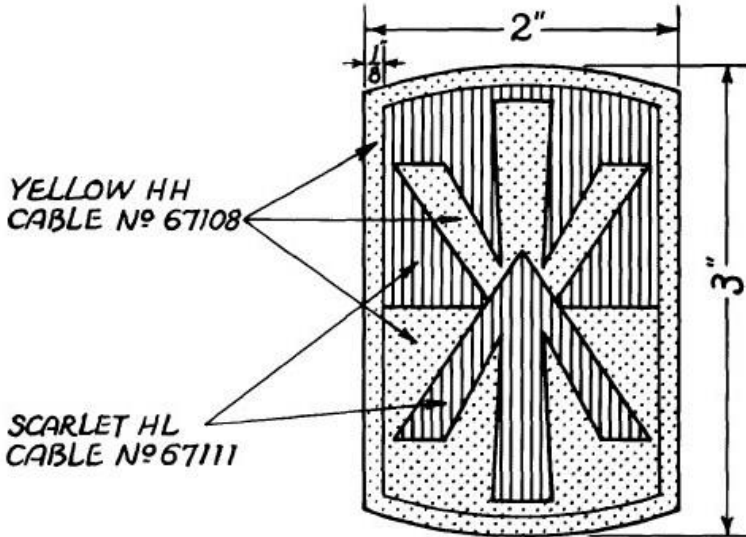


FOR SUBDUED INSIGNIA  
 YELLOW AREAS TO BE  
 OD HAH CABLE N° 67133.  
 SCARLET AREAS TO BE  
 BLACK HAH CABLE N° 67138

REVISIONS

LTR	DESCRIPTION	DATE	APPROVED
-----	-------------	------	----------



STITCH COUNT

6555 STITCHES (TOTAL MINIMUM)  
 100/2 DENIER  
 8/4 SPAN  
DESIGNED FOR OVEREDGE STITCHING

UNLESS OTHERWISE  
 SPECIFIED DIMEN-  
 SIONS ARE IN INCHES  
 TOLERANCES ON  
 FRACTIONS DECIMALS  
 ANGLES

MATERIAL:

EXAMINED	<i>CR</i>	
CHECKED	<i>905</i>	<i>RLD</i>
PREPARED	<i>Jim</i>	
APPROVED	<i>D.K. Baxter</i>	
D.K. BAXTER, COLONEL, GS, DIRECTOR		

THE INSTITUTE OF HERALDRY, U.S. ARMY  
 CAMERON STATION ALEXANDRIA, VA. 22314

SHOULDER SLEEVE INSIGNIA  
 11TH AIR DEFENSE ARTILLERY BDE

SIZE	CODE IDENT. NO.	<b>A-1-654</b>
A	22571	

SCALE: FULL DATE 27 MAY 1980